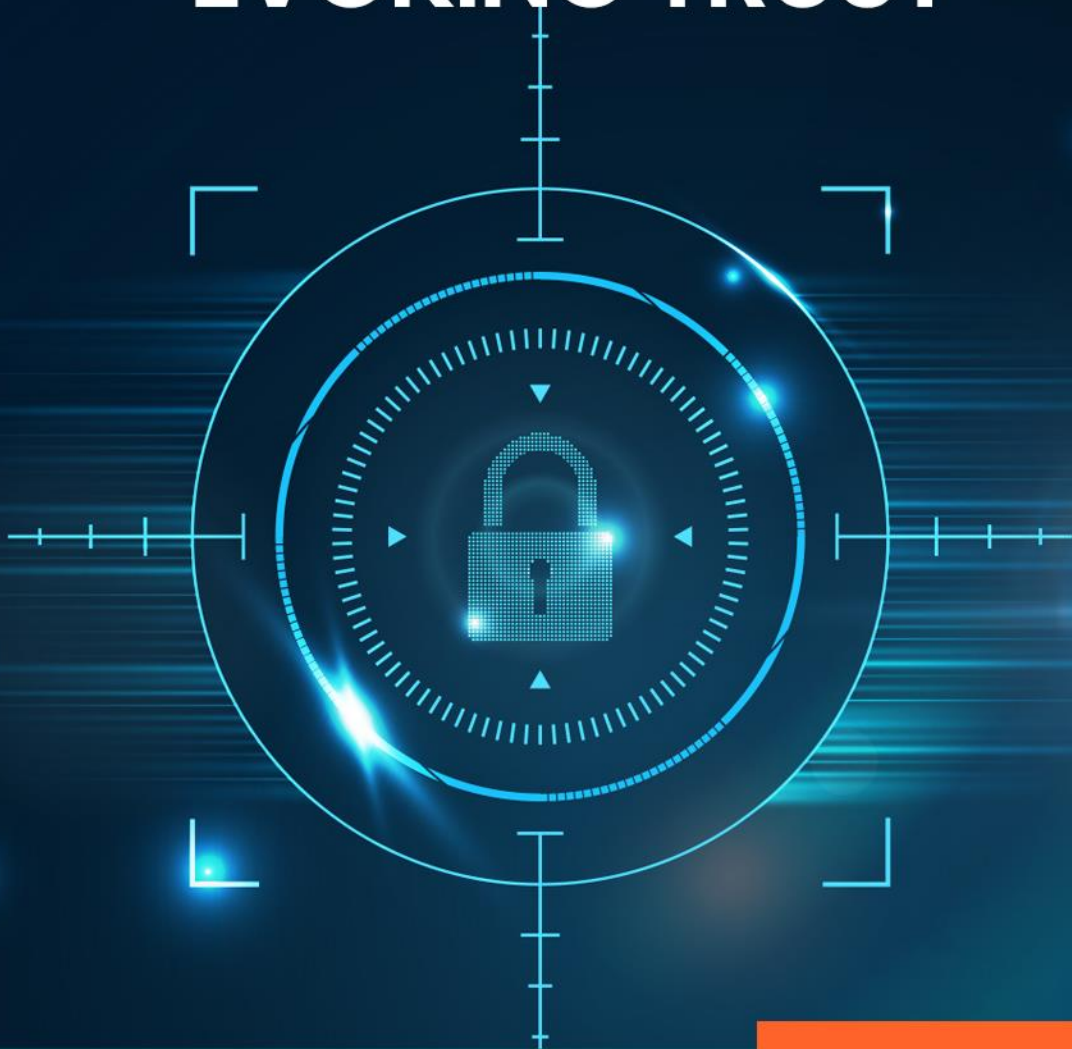




EVOKING TRUST



**Multi Layered Deep Learning
Ai Analytics at Edge
IP- 50 Camera Series**



10MP IR DUAL SENSOR Ai IP Camera

IP-50301LDO2

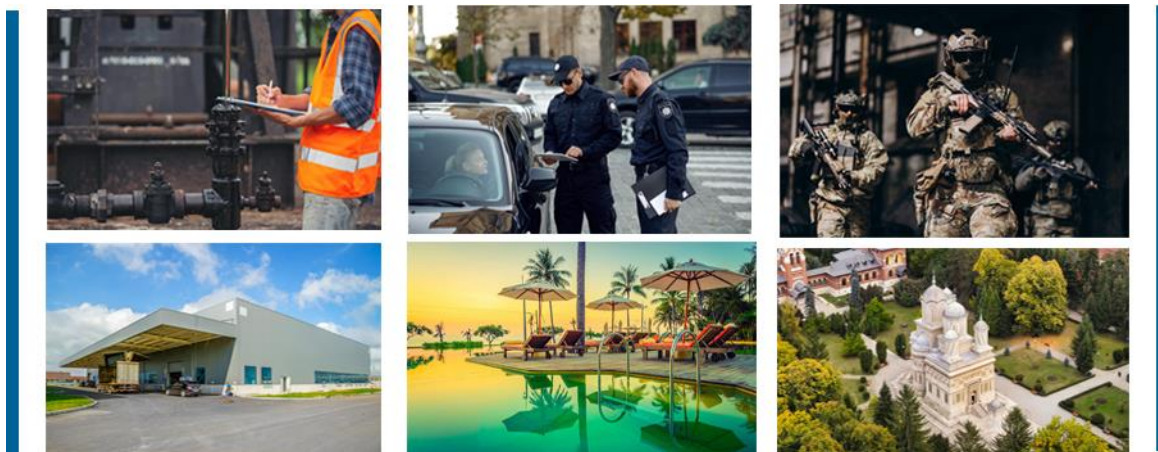


About the Camera : IP 50 Series cameras are Artificial Intelligence powered latest camera series by Wavesys. It is built on advanced system-on-chip technology from California based company Ambarella and Sony Starvis Sensors. The IP 50 series cameras are integrated with Wavesys Open Platform Enterprise Level Video Management Software WVMS. Wavesys is a video-based business intelligence leader with deep knowledge of different applications of intelligent video across distinct verticals.

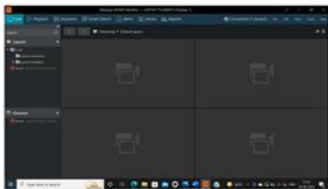
Key Features

- 2 X 5MP(10MP),30fps at 5MP per sensor
- WaveStream: Smart Compression Technology based on bit rate Control, ROI
- Power over Ethernet (IEEE 802.3af)
- UL, CE, FCC, BIS & RoHS Certification
- H.265, H.264 and MJPEG compression
- WaveVCA*: Intelligence built-in Camera Analytics
- IP67 and IK10 Environmental Housing
- Lens:2.8 mm fixed
- Deep Learning Object Tracker/People Tracker

Application



Key features of WVMS



WVMS Professional – Monitoring Console



WVMS Enterprise – Wall & Redundancy



WVMS Facial Recognition Module



WVMS Video Content Analytics



WVMS License Plate Recognition



WVMS Mobile Application

Specification

| CAMERA | |
|--|---|
| Model | IP-50301LDO2 |
| Image Sensor | 2 XSONY STARVIS EXMOR 1/2.8" 5.14M CMOS |
| Effective Pixels | 2592(H) x 1944(V) |
| Scanning System | Progressive scanning |
| AGC Control | Auto |
| IRIS Type | Auto |
| Minimum Illumination | Color: 0.1 Lux / B/W : 0 Lux (IR LED On) |
| Lens | Basic : 2.8mm(F2.0) |
| Angle of View | H - 115°, V – 64° |
| Shutter Time | Auto / Manual: 1/30 ~ 1/32,000, Anti-Flicker, Slow Shutter (1/2,1/3,1/5,1/6,1/7.5,1/10) |
| Day & Night | True Day & Night (Removable IR-cut filter) |
| Wide Dynamic Range | True WDR (Max. 15fps when WDR is on) |
| Smart Capture Technology | WaveCapture: Smart Advanced Wide Dynamic Capture for high details in challenging conditions |
| S/N Ratio | 50 dB |
| IR ILLUMINATOR | |
| Smart IR | WaveIR :- Advanced Smart IR |
| IR LED | 2 x High Power LED |
| IR Working Distance | Up to 25m, depend upon object size |
| VIDEO | |
| Video Compression | H.265, H.264, MJPEG |
| Profile | H.264 : MP / HP H.265 : MP |
| Multiple Profile Streaming Performance | 2592x1944/30 + 480p30 with H.264, H265 + MJPEG |
| Max Resolution | 2592 x 1944 |
| Video Bit Rate | 100Kbps ~ 10Mbps Multi-rate for Preview and Recording |
| Bitrate Control | Multi Streaming CBR/VBR (Controllable frame rate and Bandwidth) |
| Digital Noise Reduction | 3D-DNR |
| Privacy Mask | 16 programmable zones |
| Special Features | WaveStream: Smart Compression Technology based on bit rate Control- Region of Interest |
| Other Image Processing | Configurable Exposure, White Balance, Sharpness |
| Image Orientation | Flip / Mirror / Corridor Mode |
| Analogue Output | 1 (Installation only) CVBS 1.0V p-p (75Ω), 4:3 aspect ratio |

| AUDIO | |
|------------------------|--|
| Audio Streaming | Two way |
| Audio Compression | G.711 |
| Audio input / output | 1(Built-in Mic) / 1 |
| EVENT | |
| Event Trigger | Motion Alarm, Temperature critical, DI |
| Smart Edge Analytics* | WaveVCA: Intelligence built-in Cameras Analytics*(one channel selectable) |
| Pre-Post Recording | Pre: 1~5 sec Post: 1~240 sec |
| Event Notification | FTP, E-mail, Alarm-out, SD card |
| NETWORK | |
| Ethernet Standard | 10 / 100 / 1000Base-T |
| IP | IPv4 |
| Protocol | TCP/IP, UDP, AutoIP, RTP(UDP/TCP), RTSP, NTP, HTTP, HTTPS, SSL, DNS, DDNS, DHCP, FTP, SMTP, ICMP, SNMPv1/v2/v3(MIB-2), ONVIF |
| Security | HTTPS(SSL), IP filtering, 802.1x, Digest Authentication |
| Plug In | ONVIF Profile S, CGI API |
| GENERAL | |
| Material | Aluminum Die-casting, White |
| External I/O Terminals | 1/1 |
| Language on webpage | English |
| Power Source | DC12V, PoE(IEEE 802.3af) |
| Power Consumption | DC12V Max 10.2W, PoE Max 12.5W |
| Operating Conditions | Humidity 10 ~ 90% RH (non-condensing) [DC12V / PoE] -30°C ~ 50°C (-22°F ~ 122°F) |
| Approvals | FCC, CE, IP67, IK10, UL |
| NDA | Compliant |
| Weight | 1 kg |
| Dimensions (D x H) | Ø139x 74 mm |
| EDGE STORAGE | |
| Storage | 1x microSD / microSDHC / microSDXC (card not included) |



WaveVCA : Intelligence built-in Cameras Analytics

Basic features

Analytics Engine WVCA Technology's advanced tracking algorithm with rich library of detection behaviors

Detection Zones and Rules 40 zones (Multi-segment Polygons and Lines) in total, 60 rules in total as standard

Intrusion Detection Detection of the presence an object

Tamper Detection Supported as standard

Detection Behavior Enter, Exit, Appear, Disappear, Stop, Direction, Dwell filter, Abandoned/Removed object filter, Tailgating

Logical Rules Extends standard rules to allow various combinations of the inputs

3D Behavior Perspective Corrected Size and Speed Filters

Object Classification - Configured Max./Min. object sizes and Max./Min. speeds
Counting Line High accuracy people and vehicle counting, 20 counters in total

Meta Data JSON format, Plain XML format



Enter Filter



3D Calibration



Tailgating Filter



Appear Filter



Counting



Exit Filter



Dwell Filter



Disappear Filter



Removed Object Filter



Stopped Filter



Direction Filter



Logical Rules



Abandoned Object Filter



Counting Lines



Forensic Search



DL Object tracker



DL People Tracker



Pose Detection

Optional features

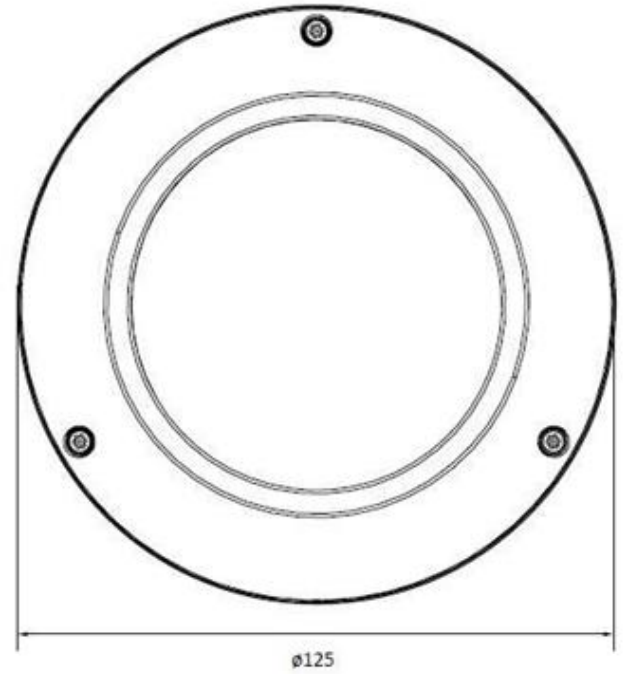
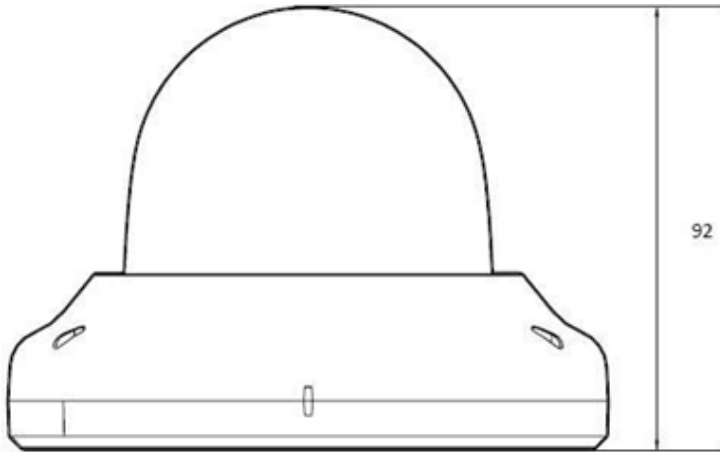
Forensic search Works with age, sentiment, gender, and ethnicity estimation



Forensic Search



Dimensions



ACCESSORIES



BW10



BC10



BP01



BCO01