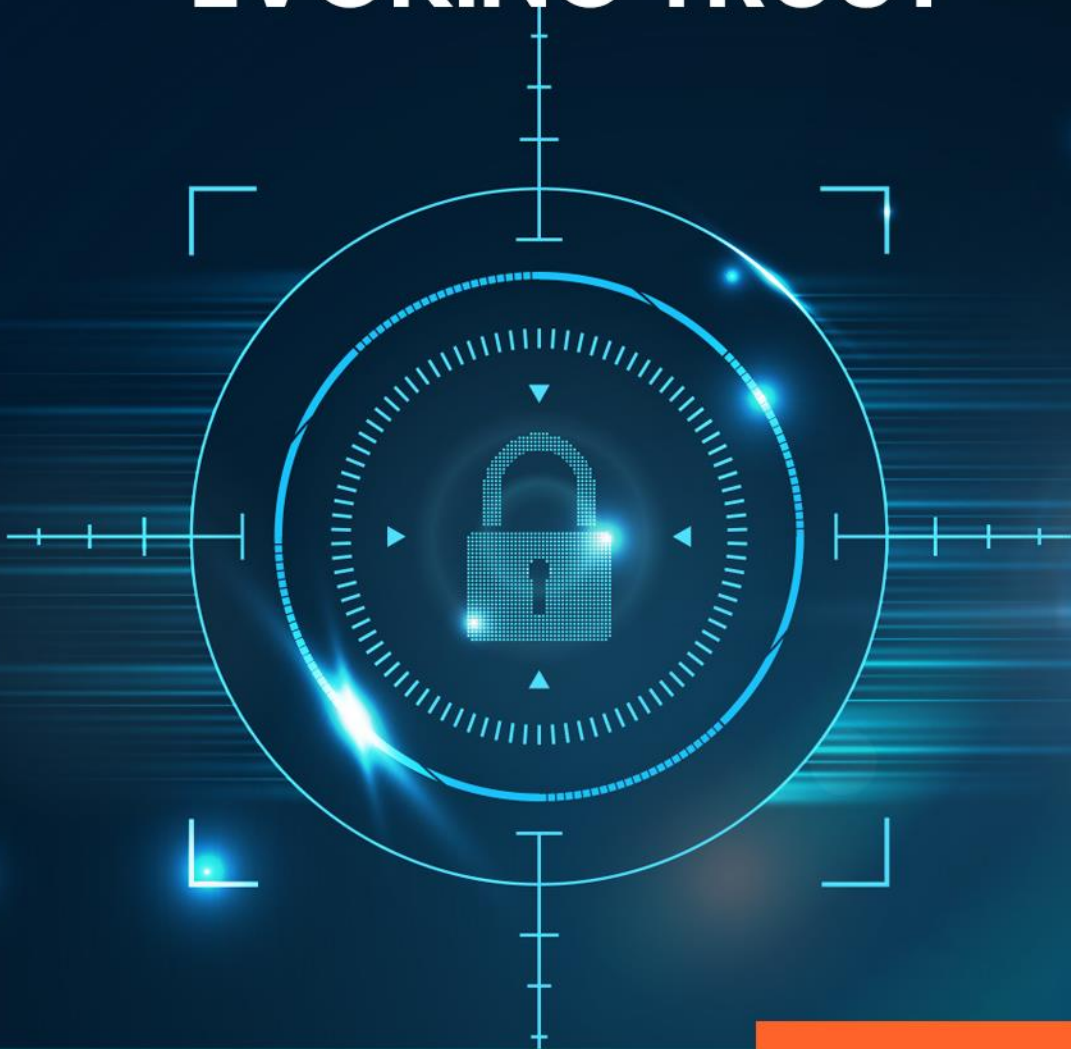




**EVOKING TRUST**



**Intelligent Video  
Analysis at Edge  
IP-30 Camera Series**



# STARVIS 2MP 3x Mini PTZ IP Camera

## IP-30203PTZ

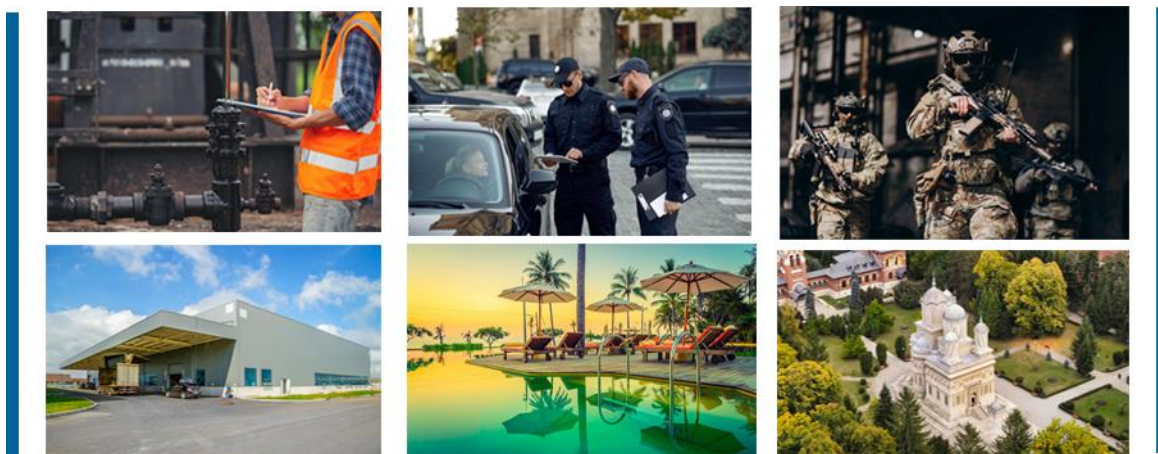


**About the Camera :** IP 30 Series cameras are Artificial Intelligence powered latest camera series by Wavesys. It is built on advanced system-on-chip technology from California based company Ambarella and Sony Starvis Sensors. The IP 30 series cameras are integrated with Wavesys Open Platform Enterprise Level Video Management Software WVMS. Wavesys is a video-based business intelligence leader with deep knowledge of different applications of intelligent video across distinct verticals.

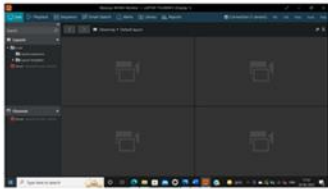
## Key Features

- . Full HD 1080P @30FPS
- . True Day/Night &WDR
- . WaveStream: Smart Compression Technology based on bit rate Control, ROI
- . Power over Ethernet (IEEE 802.3af)
- . H.265, H.264 and MJPEG compression
- . WaveVCA\*: Intelligence built-in Camera Analytics
- . IP66 and IK10 Environmental Housing
- . CE, FCC, BIS & RoHS Certification

## Application



### Key features of WVMS



WVMS Professional – Monitoring Console



WVMS Enterprise – Wall & Redundancy



WVMS Facial Recognition Module



WVMS Video Content Analytics



WVMS License Plate Recognition



WVMS Mobile Application

### Specification

CAMERA	
Model	IP-30203PTZ
Image Sensor	1/2.8" 2.4M CMOS
Effective Pixels	1920(H) x 1080(V)
Scanning System	Progressive scanning
AGC Control	Auto
IRIS Type	Auto
Minimum Illumination	Color: 0.03 Lux / B/W : 0.006 Lux
Lens	2.8(w) 8.0mm(t), Optical 3x, Motorized Focus & zoom lens
Angle of View	Horizontal: Approx. 114.7°(wide) to 59.3°(tele) Vertical: approx. 61.2° (wide) to 33.2° (tele)
Shutter Time	Auto / Manual: 1/30 ~ 1/32,000, Anti-Flicker, Slow Shutter (1/2,1/3,1/5,1/6,1/7.5,1/10)
Day & Night	True Day & Night (Removable IR-cut filter)
Wide Dynamic Range	True WDR, 120 dB
Smart Capture Technology	WaveCapture: Smart Advanced Wide Dynamic Capture for high details in challenging conditions
S/N Ratio	50 dB
VIDEO	
Video Compression	H.265, H.264, MJPEG
Profile	H.264 : MP / HP H.265 : MP
Multiple Profile Streaming Performance	1080p30 + D1(704x480 or 704x576) p30 with H.264, H.265 + MJPEG
Max Resolution	1920 x 1080
Video Bit Rate	100Kbps ~ 10Mbps Multi-rate for Preview and Recording
Bitrate Control	Multi Streaming CBR/VBR (Controllable frame rate and Bandwidth)
Digital Noise Reduction	3D-DNR
Privacy Mask	16 programmable zones
Special Features	WaveStream: Smart Compression Technology based on bit rate Control- Region of Interest
Other Image Processing	Configurable Exposure, White Balance, Sharpness
Image Orientation	Flip / Mirror / Corridor Mode
EDGE STORAGE	
Storage	1x microSD / microSDHC / microSDXC (card not included)

AUDIO	
Audio Streaming	Two Way
Audio Compression	G.711
Audio input / output	1 / 0
EVENT	
Event Trigger	Motion Alarm, Temperature critical, DI
Smart Edge Analytics*	WaveVCA: Intelligence built-in Cameras Analytics*(one channel selectable)
Pre-Post Recording	Pre: 1~5 sec Post: 1~240 sec
Event Notification	FTP, E-mail, Alarm-out, SD card
NETWORK	
Ethernet Standard	10 / 100 / 1000Base-T
IP	IPv4
Protocol	TCP/IP, UDP, AutoIP, RTP(UDP/TCP), RTSP, NTP, HTTP, HTTPS, SSL, DNS, DDNS, DHCP, FTP, SMTP, ICMP, SNMPv1/v2/v3(MIB-2), ONVIF
Security	HTTPS(SSL), IP filtering, 802.1x, Digest Authentication
Plug In	ONVIF Profile S, CGI API
PTZ	
Pan / Tilt Range Pan	Pan Range: 360° Endless Rotation Tilt Range: 90°
Pan/Tilt Speed	Up to 180°/s
Number of Preset	255 preset points
Preset Accuracy	±0.2°(Preset point)
GENERAL	
Material	Aluminum Die-casting, White
External I/O Terminals	1 x Alarm In / 1 x Alarm Out
Housing Environmental Rating	IP66
Housing Impact Rating	IK10
Language on webpage	English
Power Source	DC12V, PoE(IEEE 802.3af)
Power Consumption	DC12V Max 11.4W, PoE Max 15.4W
Operating Conditions	Humidity 10 ~ 90% RH (non-condensing) [DC12V / PoE] -30°C ~ 50°C (-22°F ~ 122°F)
Approvals	FCC, CE, RoHS,BIS
Weigh	1 kg
Dimensions (D x H)	Ø125mmx 116mm





## WaveVCA : Intelligence built-in Cameras Analytics

### Basic features

**Analytics Engine** WVCA Technology's advanced tracking algorithm with rich library of detection behaviors

**Detection Zones and Rules** 40 zones (Multi-segment Polygons and Lines) in total, 60 rules in total as standard

**Intrusion Detection** Detection of the presence of an object

**Tamper Detection** Supported as standard



Intrusion Detection



Tamper Detection



Zones & lines

### Optional features

**Detection Behavior** Enter, Exit, Appear, Disappear, Stop, Direction, Dwell filter, Abandoned/Removed object filter, Tailgating

**Logical Rules** Extends standard rules to allow various combinations of the inputs

**3D Behavior** Perspective Corrected Size and Speed Filters

**Object Classification** - Configured Max./Min. object sizes and Max./Min. speeds

**Counting Line** High accuracy people and vehicle counting, 20 counters in total

**Meta Data** JSON format, Plain XML format



Enter Filter



3D Calibration



Tailgating Filter



Appear Filter



Counting



Exit Filter



Dwell Filter



Disappear Filter



Removed Object Filter



Stopped Filter



Direction Filter



Logical Rules



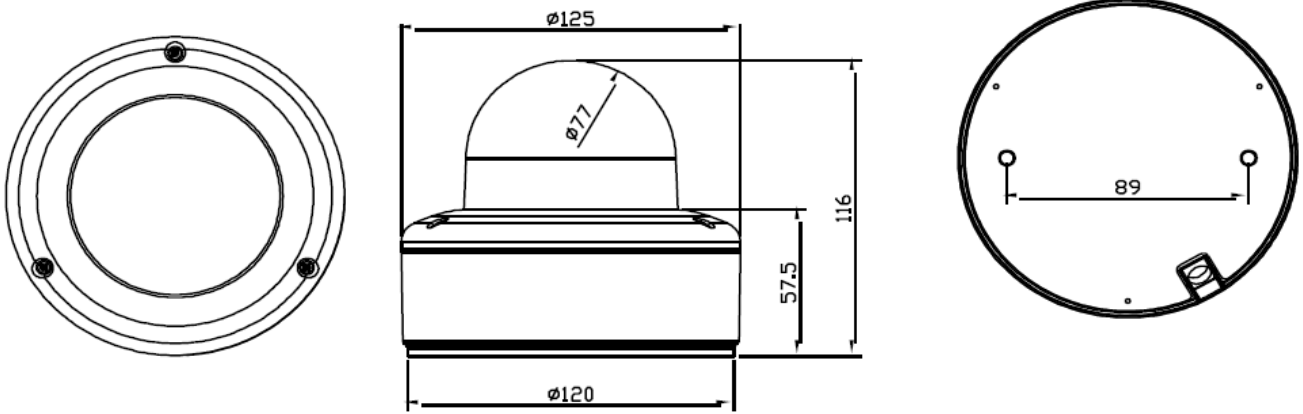
Abandoned Object Filter



Counting Lines



**Dimensions**



**ACCESSORIES**



**BW11**



**BC11**



**BP01**



**BCO01**