



**EVOKING TRUST**



**Intelligent Video  
Analysis at Edge  
IP-30 Camera Series**



## 10MP IR DUAL SENSOR IP CAMER

### IP-30303LDO2



**About the Camera :** IP 30 Series cameras are Artificial Intelligence powered latest camera series by Wavesys. It is built on advanced system-on-chip technology from California based company Ambarella and Sony Starvis Sensors. The IP30 series cameras are integrated with Wavesys Open Platform Enterprise Level Video Management Software WVMS. Wavesys is a video-based business intelligence leader with deep knowledge of different applications of intelligent video across distinct verticals.

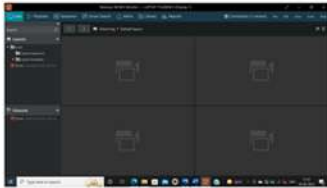
### Key Features

- 2 x 5MP(10MP), 30fps at 5MP per sensor
- Remote zoom and focus lens (auto-focus)
- Power over Ethernet (IEEE 802.3af)
- UL, CE, FCC, BIS & RoHS Certification
- H.265, H.264 and MJPEG compression
- One IP Address for two cameras
- IP67 and IK10 Environmental Housing

### Application



### Key features of WVMS



WVMS Professional – Monitoring Console



WVMS Enterprise – Wall & Redundancy



WVMS Facial Recognition Module



WVMS Video Content Analytics



WVMS License Plate Recognition



WVMS Mobile Application

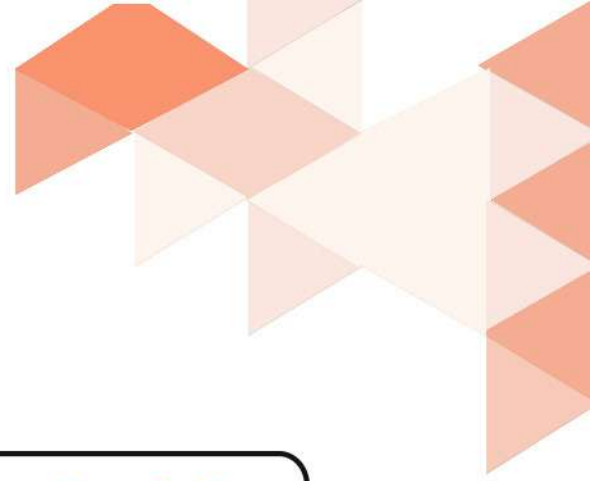
### Specification

#### Camera

<b>Model</b>	<b>IP- 3030LDO2</b>
Image Sensor	2 x SONY STARVIS EXMOR 1/2.8" 5M CMOS
Effective Pixels	2592(H) x 1944(V)
Scanning System	Progressive scanning
AGC Control	Auto
IRIS Type	Auto Exposure
Minimum Illumination	Color : 0.8 Lux / BW : 0 Lux (IR LED On)
Lens	2.7 – 13.5 mm, F1.4
Angle of View	Horizontal: Approx. 85° (Wide) to 31° (Tele)
Shutter Time	Auto / Manual: 1/30 – 1/32,000, Anti-Flicker, Slow Shutter (1/2,1/3,1/5,1/6,1/7.5,1/10)
Day & Night	True Day & Night (Removable IR-cut filter)
Wide Dynamic Range	True WDR, 120 dB
Smart Capture Technology	WaveCapture: Smart Advanced Wide Dynamic Capture for high details in challenging conditions
S/N Ratio	50 dB
<b>IR ILLUMINATOR</b>	
IR LED	High Power IR LED x 2
IR Working Distance	30m Depending upon object size
Smart IR	WaveIR : Advanced smart IR
<b>VIDEO</b>	
Video Compression	H.265, H.264, MJPEG
Profile	H.264: MP / HPH, H.265: MP
Multiple Profile Streaming Performance	2592x1944/30 + 480p30 with H.264, H.265 + MJPEG
Max Resolution	2592 x 1944
Video Bit Rate	100Kbps ~ 10Mbps Multi-rate for Preview and Recording
Bitrate Control	Multi Streaming CBR/VBR (Controllable frame rate and Bandwidth)
Digital Noise Reduction	3D-DNR
Privacy Mask	16 programmable zones
Special Features	Wavestream: Smart Compression Technology based on bit rate Control-Region of Interest
Other Image Processing	Configurable Exposure, White Balance, Sharpness
Analogue Output	1 (Installation only) CVBS 1.0V p-p (75Ω), 4:3 aspect ratio Camera selectable

#### AUDIO

Audio Compression	G.711
Audio input / output	1 / 1 (For the 1st Camera)
<b>EVENT</b>	
Event Trigger	Motion, Temperature critical
Pre-Post Recording	Pre: 1-5 sec Post: 1-240 sec
Smart Edge Analytics	WaveVCA: Intelligence built-in Cameras Analytics
Event Notification	FTP, E-mail, SD card
<b>NETWORK</b>	
Ethernet Standard	10 / 100 Base-T
Protocol	TCP/IP, UDP, AutoIP, RTP (UDP/TCP), RTSP, NTP, HTTP, HTTPS, SSL, DNS, DDNS, DHCP, FTP, SMTP, ICMP, SNMPv1/v2/v3 (MIB-2), ONVIF
Security	HTTPS (SSL), IP filtering, 802.1x, Digest Authentication
Plug In	ONVIF Profile S, CGI API
<b>GENERAL</b>	
Material	Aluminum Die-casting
External I/O Terminals	1x Alarm in / 1x Alarm out for first camera
Language on webpage	English
Power Source	DC12V, PoE (IEEE 802.3af)
Power Consumption	DC12V Max 6W, PoE Max 7.2W
Operating Conditions	Humidity 10 ~ 90% RH (non-condensing) [DC12V / PoE] -30°C ~ 50°C (-22°F ~ 122°F)
Approvals	FCC, CE, IP67, IK10
Weight	2.1 kg
Dimensions (D x W)	210 mm x 121.6 mm
<b>EDGE STORAGE</b>	
Storage	1x microSD / microSDHC / microSDXC (card not included)



## WaveVCA : Intelligence built-in Cameras Analytics

### Basic features

**Analytics Engine** WVCA Technology's advanced tracking algorithm with rich library of detection behaviors

**Detection Zones and Rules** 40 zones (Multi-segment Polygons and Lines) in total, 60 rules in total as standard

**Intrusion Detection** Detection of the presence of an object

**Tamper Detection** Supported as standard



Intrusion Detection



Tamper Detection



Zones & lines

### Optional features

**Detection Behavior** Enter, Exit, Appear, Disappear, Stop, Direction, Dwell filter, Abandoned/Removed object filter, Tailgating

**Logical Rules** Extends standard rules to allow various combinations of the inputs

**3D Behavior** Perspective Corrected Size and Speed Filters

**Object Classification** - Configured Max./Min. object sizes and Max./Min. speeds

Counting Line High accuracy people and vehicle counting, 20 counters in total

**Meta Data** JSON format, Plain XML format



Enter Filter



3D Calibration



Tailgating Filter



Appear Filter



Counting



Exit Filter



Dwell Filter



Disappear Filter



Removed Object Filter



Stopped Filter



Direction Filter



Logical Rules



Abandoned Object Filter



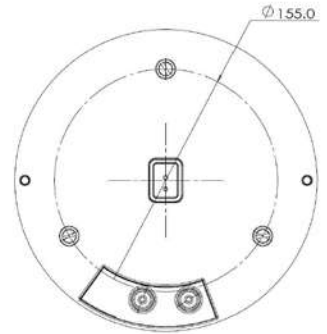
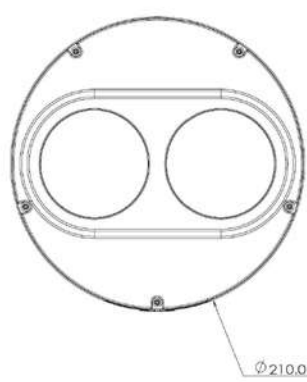
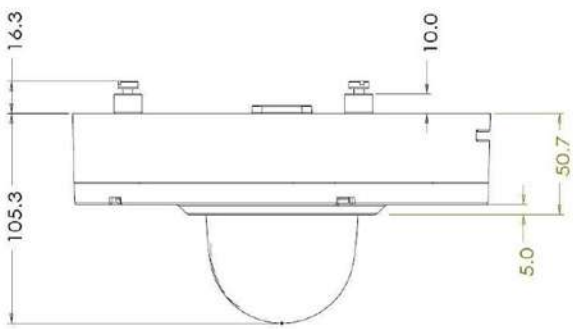
Counting Lines



**WAVESYS**  
EVOKING TRUST



**DIMENSIONS**



**ACCESSORIES**



**BJC06**



**BW15**



**BC15**



**BP01**



**BCO01**

